

FEATURED ALUM-A-LIFT
 SELF-PROPELLED PORTABLE CLEANROOM JIB CRANE

PROJECT
30590

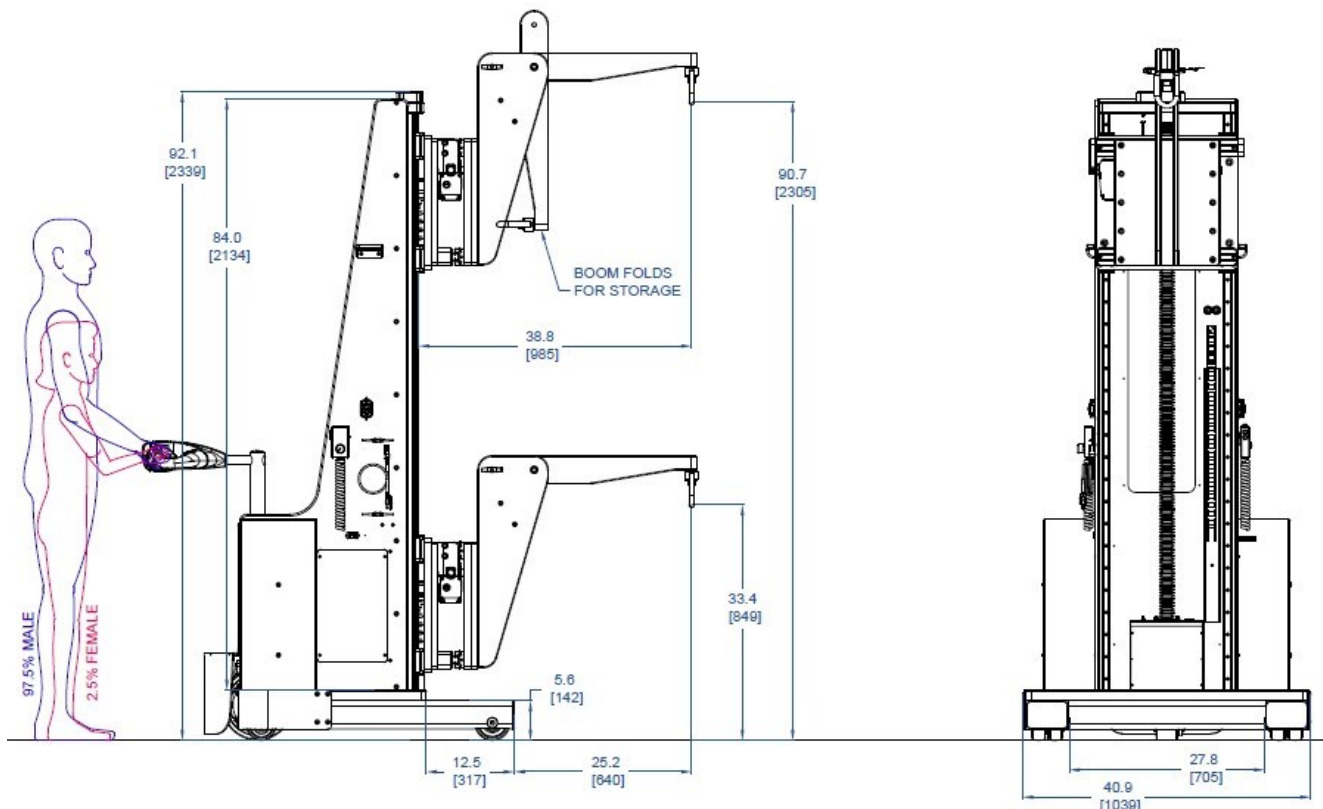


MODEL A2500CSLRPD-84

FEATURING Swiveling Hoist Ring, Foldable Boom, Powered Lateral Shuttle, Powered Drive Wheel

HANDLING 1000 lb [455 kg] Aerospace Components

DETAILS The assembly of aerospace vehicles often requires the lifting and positioning of very heavy and expensive components. This Alum-a-Lift features a single lifting point where straps or chains are attached and used to pick up the various components. A powered lateral shuttle allows for fine side-to-side adjustment when installing or removing components. A powered drive wheel allows operators to safely and easily transport the heavy components. The boom can be folded down when not in use, minimizing floorspace.



alum-a-lift

13941 Veterans Memorial Hwy
 Winston, GA 30187 USA
 +1 770 489 0328

GET STARTED AT ALUM-A-LIFT.COM