

FEATURED ALUM-A-LIFT CLEANROOM OPTICS LIFT WITH ARTICULATED ARM

PROJECT 35579



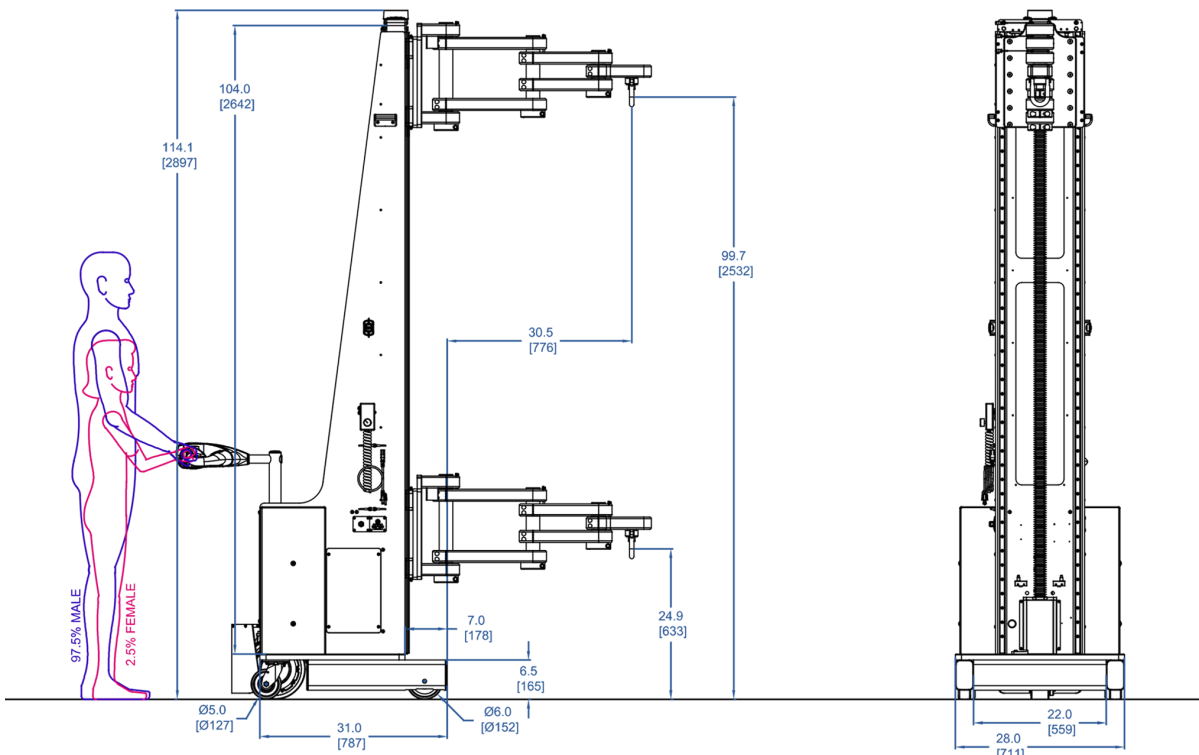
MODEL A1500CRSLRPD-104

FEATURING Articulated Arm, Powered Drive Wheel, Class 1000 (ISO 6) Cleanroom

HANDLING 264 lb [120 kg] Tooling

DETAILS Our cleanroom optics lift was specifically engineered to assist production teams in elevating optical modules within a cleanroom setting, allowing for their placement onto an optical bench for assembly and testing. The lift's design was optimized to minimize its footprint, ensuring it could navigate the tight aisles in front of serviced equipment.

Alum-a-Lift's compact solution also adhered to safety standards for stability by incorporating extra counterweights, which helped maintain its small footprint while still achieving the desired vertical motion. Fine positioning of the optics is achieved using the articulated arm for an extended reach.



alum-a-lift

13941 Veterans Memorial Hwy
Winston, GA 30187 USA
+1 770 489 0328

GET STARTED AT ALUM-A-LIFT.COM