

# FEATURED ALUM-A-LIFT SPAR HANDLING LIFT WITH ROTATING GRIPPER

## PROJECT 35278



**MODEL** A800CSLR-60

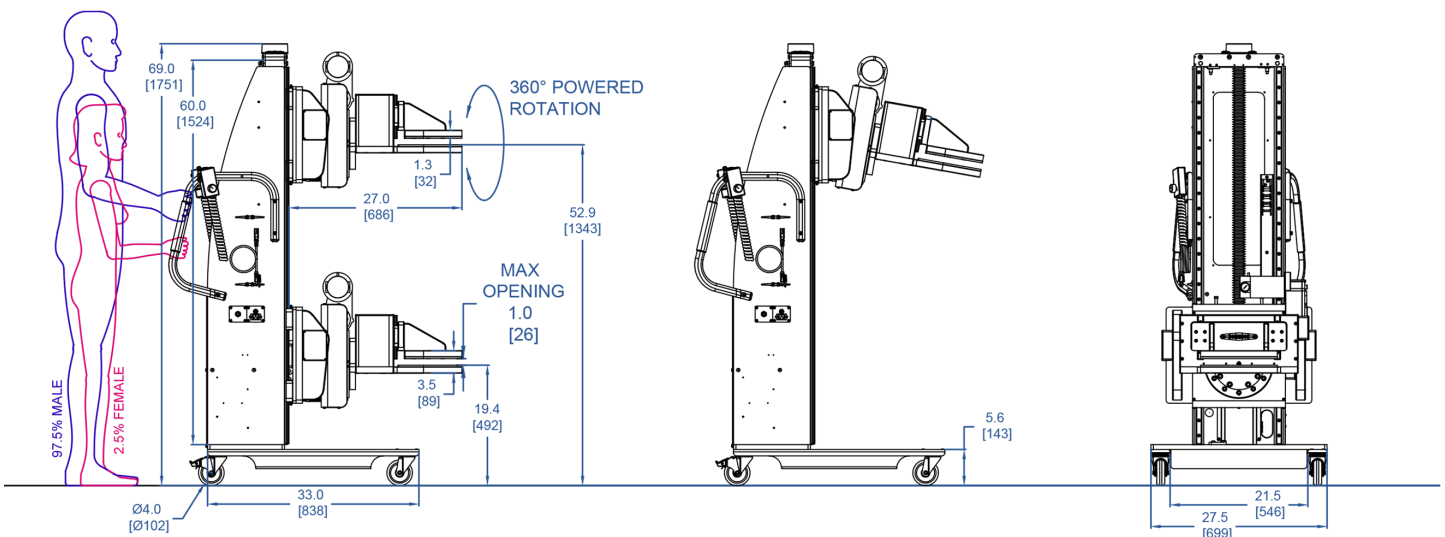
**FEATURING** 360° Powered Rotation, Powered Gripper, Obstacle Sensor & Spring Overload Safety Module

**HANDLING** 220 lb [100 kg] Spars

**DETAILS** Spars are essential structural elements in aircrafts that support the wings, so it's important to use specialized lifting equipment for safe handling, ensuring both safety and airworthiness while protecting personnel.

Our spar handling lift is equipped with a low-profile gripper that firmly holds the spar with a rubberized surface to prevent any damage. The grippers edges are rounded to avoid concentrated pressure. Additionally, the end-effector can rotate a full 360 degrees, allowing for precise control during operations.

By prioritizing accuracy and safety, these tools help reduce delays from mishandling or component damage, leading to lower downtime and cost savings, ultimately enhancing operational readiness for aircraft operators.



**alum-a-lift**

13941 Veterans Memorial Hwy  
Winston, GA 30187 USA  
+1 770 489 0328

GET STARTED AT [ALUM-A-LIFT.COM](http://ALUM-A-LIFT.COM)